

10.00mm(.400") Wire To Wire And Wire To Board Connector

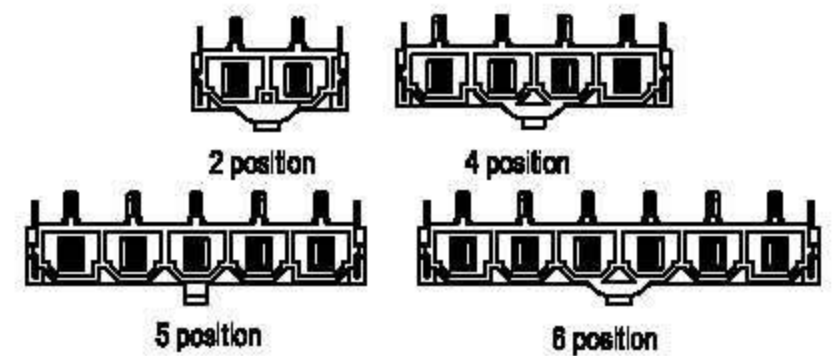
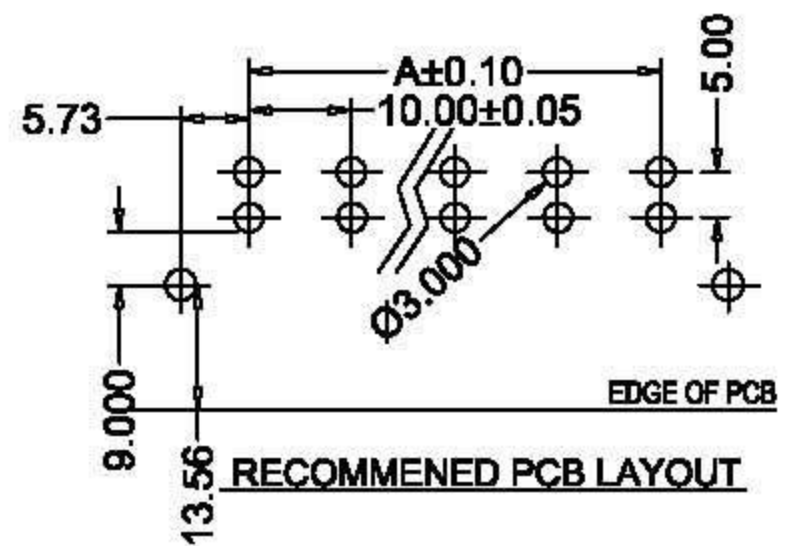
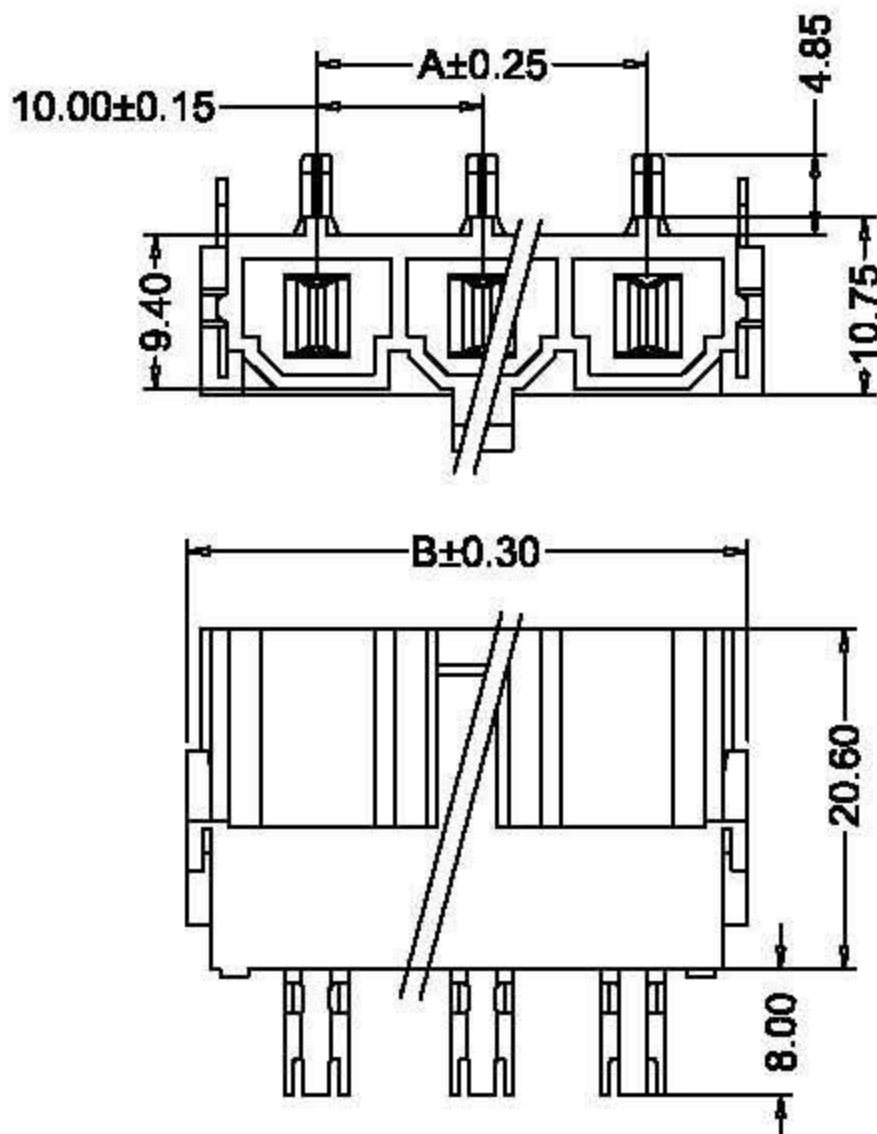
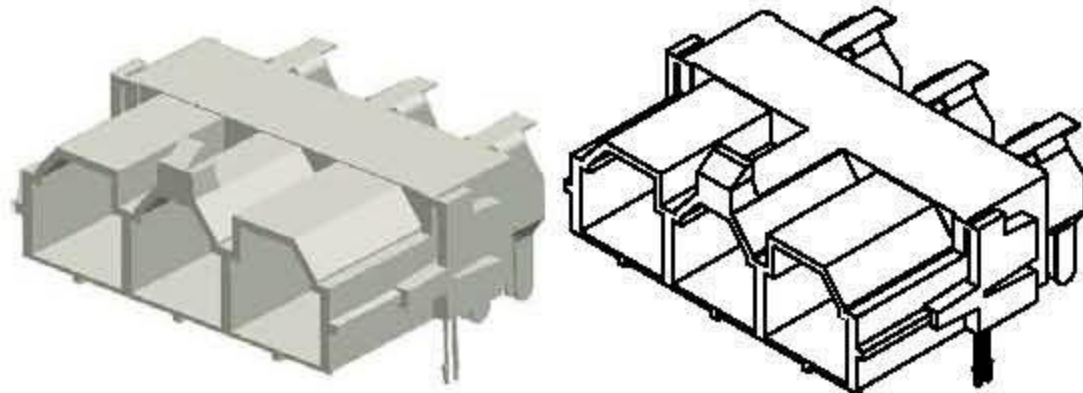


SPECIFICATIONS:

- Current Rating:48A AC,DC
- Voltage Rating:600V AC,DC
- Contact Resistance:20mΩ max.
- Withstanding Voltage:1000V AC/minute
- Material: PBT,UL 94V-0
- Operating Temperature:-40℃~+130℃
- Standard Color:Black
- Contact:Pure Copper
- Finish:Tin-plated
- Mate With P9910 series housing
- 2~6 circuits available
- GWT:750℃ IEC-60335-1

Shenzhen Hongru Connector Co., Ltd

Email:yukyli@hrb-connector.com
 Tel: 86-0755 2709 6669
 Fax: 86-0755 2709 2392
 Skype: haiyuncheng-vivian
 Mobile(whatsapp): 86-186 8112 3590
 Website: http://www.hrb-connector.com



Ordering Information And Dimensions

Part NO.	Circuits	Dimensions	
		Dim:A	Dim:B
TYP UL94V-0			
M9920R-2-B	2	10.00	23.88
M9920R-3-B	3	20.00	33.88
M9920R-4-B	4	30.00	40.88
M9920R-5-B	5	40.00	50.88
M9920R-6-B	6	50.00	60.88