

4.2mm(.165")Wire To Wire And Wire To Board Connector

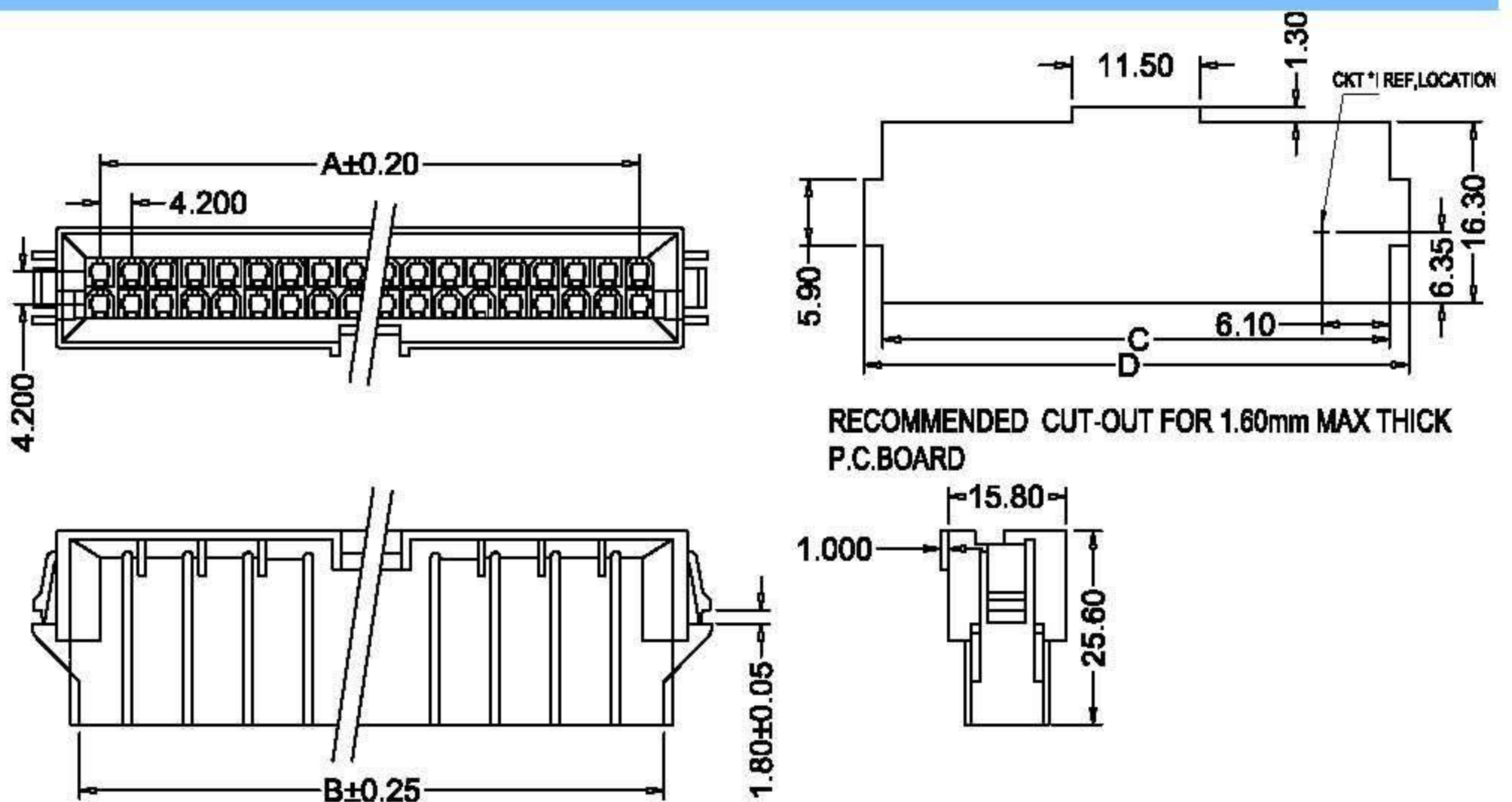
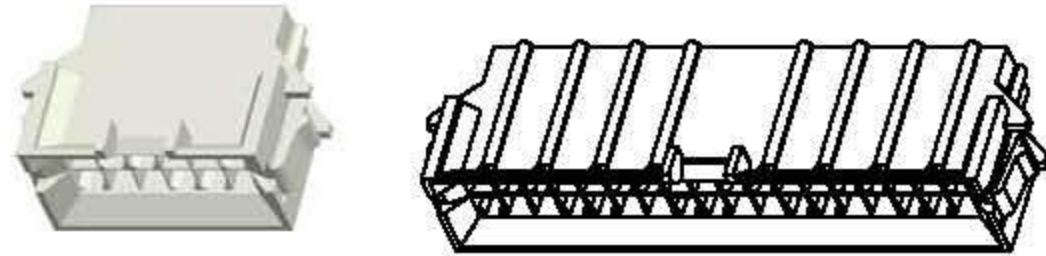


SPECIFICATIONS:

- Current Rating: 9A AC, DC
- Voltage Rating: 600V AC, DC
- Operating Temperature: V2: -25°C ~ +85°C
V0: -40°C ~ +130°C
- Contact Resistance: 10mΩ max.
- Insulation Resistance: 1000MΩ Min.
- Withstanding Voltage: 1500V AC/minute
- File No: E304945
- Material: Nylon UL94V-2/UL94V-0
- Terminal In Housing Retention Force Requirement: 6.5kg (Min.)

Shenzhen Hongru Connector Co., Ltd

Email: yukyli@hrb-connector.com
 Tel: 86-0755 2709 6669
 Fax: 86-0755 2709 2392
 Skype: haiyuncheng-vivian
 Mobile(whatsapp): 86-186 8112 3590
 Website: http://www.hrb-connector.com



Ordering Information And Dimensions

Part NO.		Circuits	Dimensions				Part NO.		Circuits	Dimensions			
TYP UL94V-2	TYP UL94V-0		Dim:A	Dim:B	Dim:C	Dim:D	TYP UL94V-2	TYP UL94V-0		Dim:A	Dim:B	Dim:C	Dim:D
P42475-2x2-B	P42475-2x2-A	4	4.20	9.60	16.30	19.80	P42475-2x8-B	P42475-2x8-A	16	29.40	34.80	41.50	45.00
P42475-2x3-B	P42475-2x3-A	6	8.40	13.80	20.50	24.00	P42475-2x9-B	P42475-2x9-A	18	33.60	39.00	45.70	49.20
P42475-2x4-B	P42475-2x4-A	8	12.60	18.00	24.70	28.20	P42475-2x10-B	P42475-2x10-A	20	37.80	43.20	49.90	53.40
P42475-2x5-B	P42475-2x5-A	10	16.80	22.20	28.90	32.40	P42475-2x11-B	P42475-2x11-A	22	42.00	47.40	54.10	57.60
P42475-2x6-B	P42475-2x6-A	12	21.00	26.40	33.10	36.60	P42475-2x12-B	P42475-2x12-A	24	46.20	51.60	58.30	61.80
P42475-2x7-B	P42475-2x7-A	14	25.20	30.60	37.30	40.80	P42475-2x18-B	P42475-2x18-A	36	71.40	76.80	83.50	87.00