

# 10.00mm(.400") Wire To Wire And Wire To Board Connector



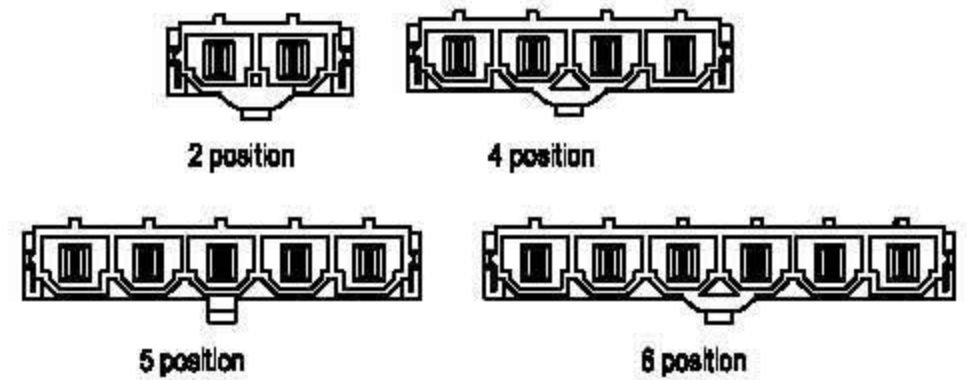
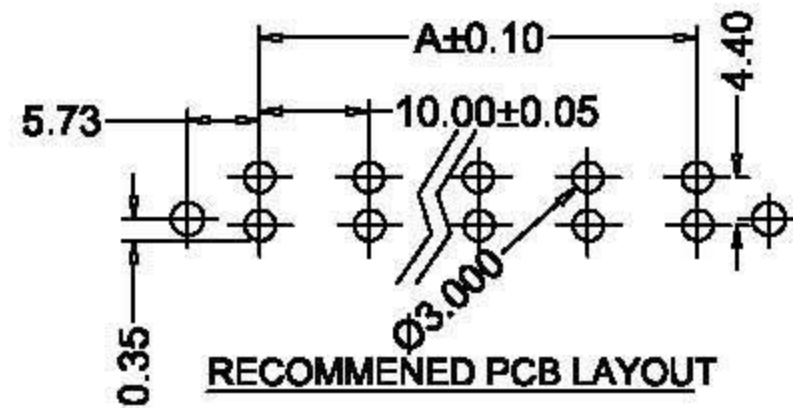
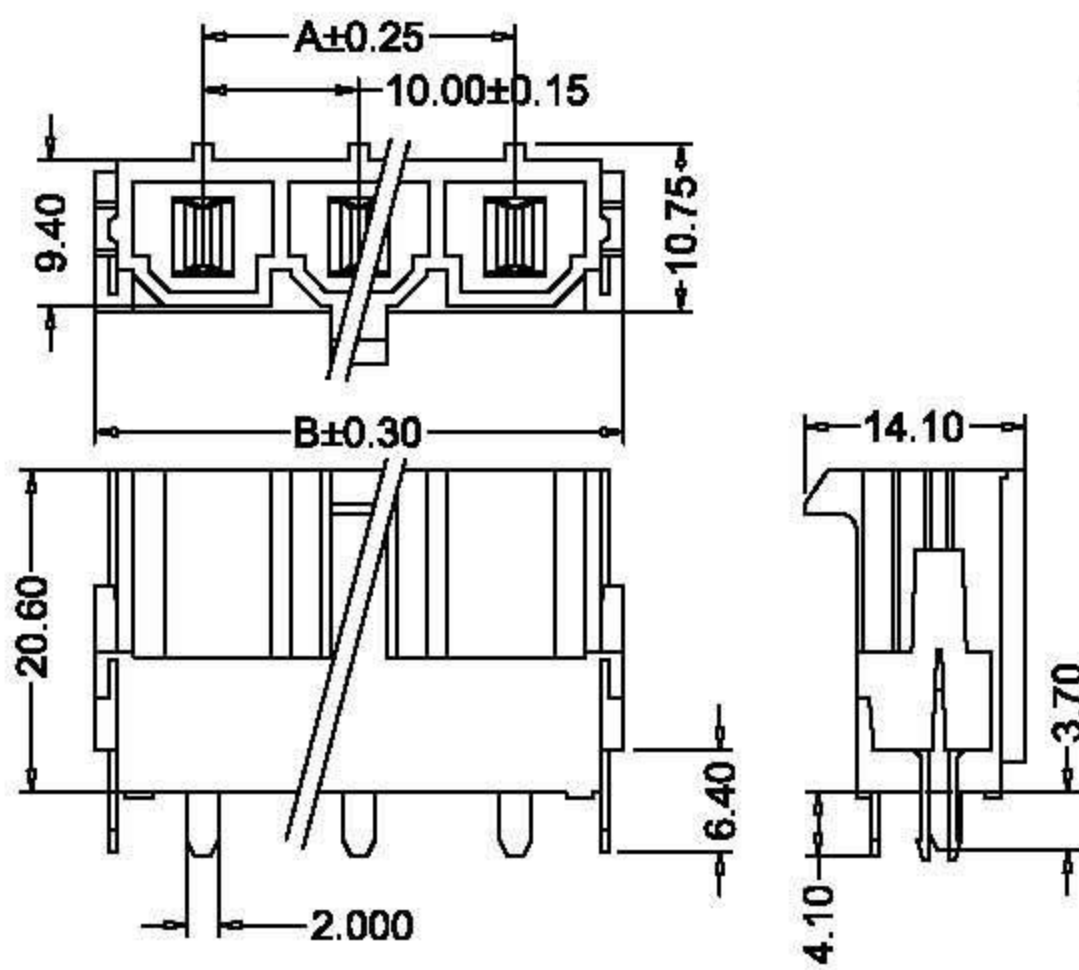
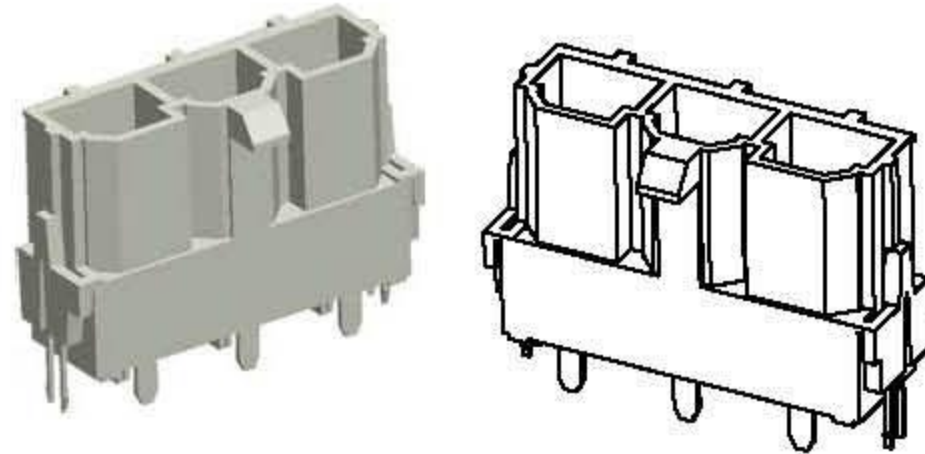
Connector & Terminal

Shenzhen Hongru Connector Co., Ltd

Email: yukyli@hrb-connector.com  
 Tel: 86-0755 2709 6669  
 Fax: 86-0755 2709 2392  
 Skype: haiyuncheng-vivian  
 Mobile(whatsapp): 86-186 8112 3590  
 Website: http://www.hrb-connector.com

## SPECIFICATIONS:

- Current Rating: 48A AC, DC
- Voltage Rating: 600V AC, DC
- Contact Resistance: 20mΩ max.
- Withstanding Voltage: 1000V AC/minute
- Material: PBT, UL 94V-0
- Operating Temperature: -40°C ~ +130°C
- Standard Color: Black
- Contact: Pure Copper
- Finish: Tin-plated
- Mate With P9910 series housing
- 2~6 circuits available
- GWT: 750°C IEC-60335-1



## Ordering Information And Dimensions

Part NO.		Dimensions	
TYP UL94V-0	Circuits	Dim:A	Dim:B
M9920-2-B	2	10.00	23.88
M9920-3-B	3	20.00	33.88
M9920-4-B	4	30.00	40.88
M9920-5-B	5	40.00	50.88
M9920-6-B	6	50.00	60.88

