

1.27mm(.050") Wire To Board Connector

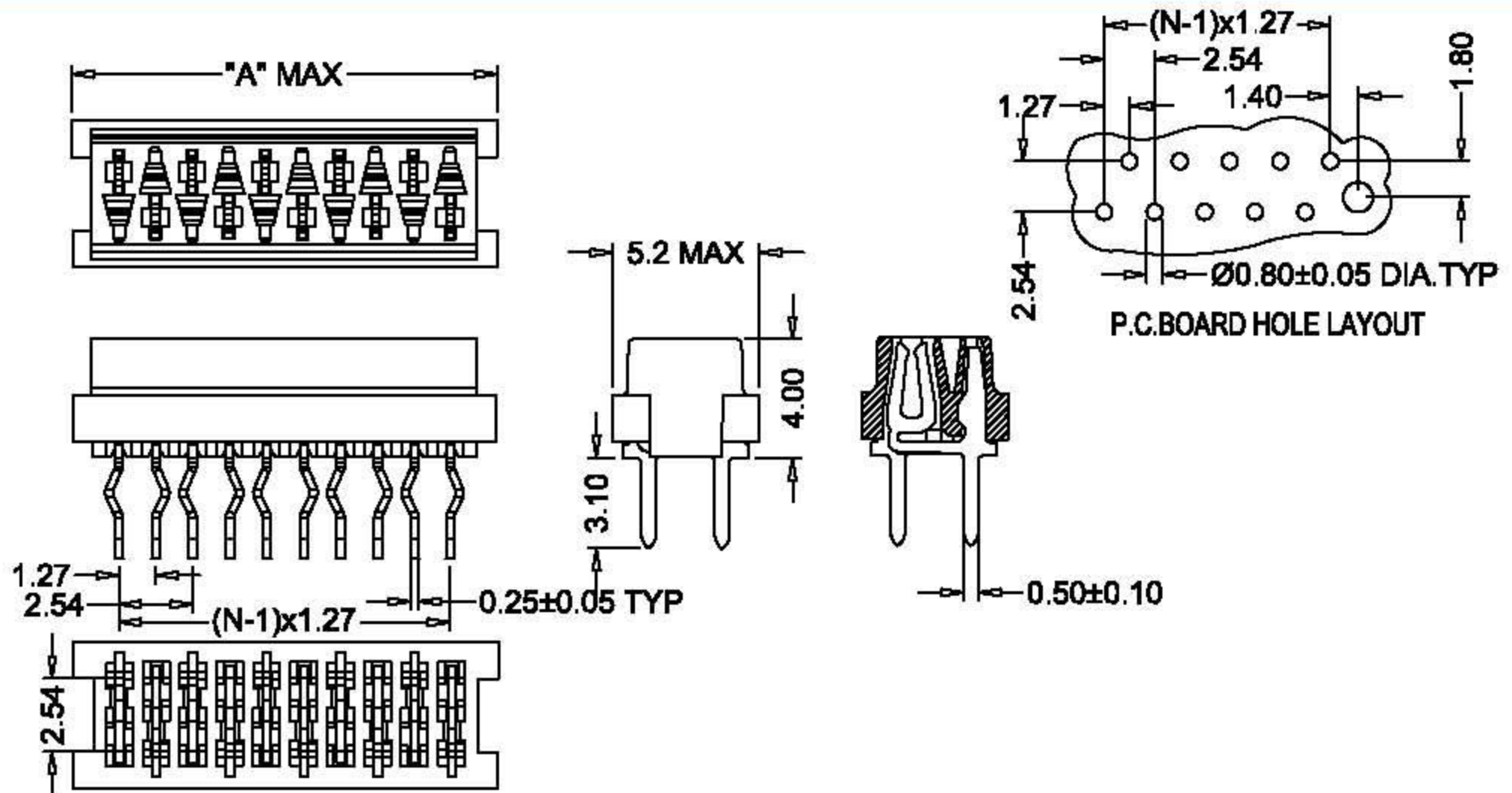
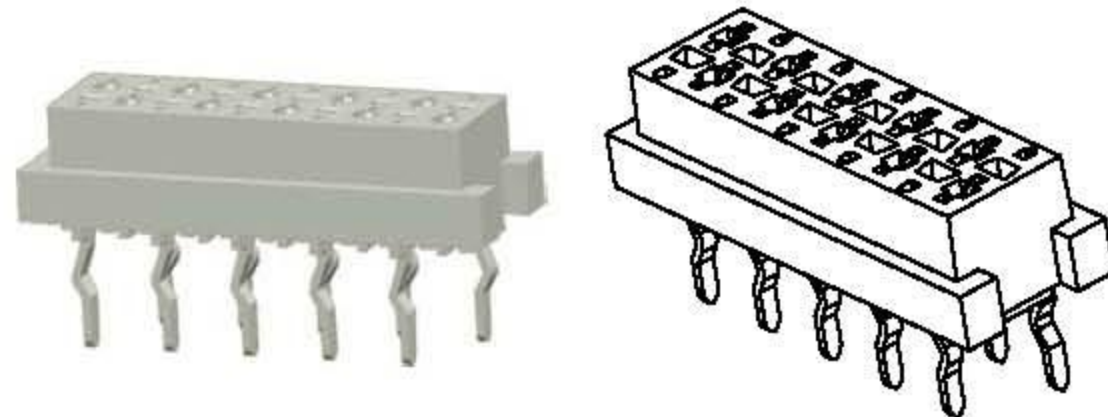


Shenzhen Hongru Connector Co., Ltd

SPECIFICATIONS:

- Current Rating:1AAC,DC
- Voltage Rating:100V AC,DC
- Operating Temperature:-40℃~+105℃
- Contact Resistance:10mΩ max.
- Insulation Resistance:1000MΩ Min.
- Withstanding Voltage:500V AC/minute
- Wire Size:AWG#28
- FEMALE-ON-BOARD CONNECTOR
- MATERIAL
- Housing: PA46(red) UL94V-0
- Male Contact:Phosphor bronze
- Finish:Tin Over nickel plated

Email:yukyli@hrb-connector.com
 Tel: 086(0755)27096669
 Skype: haiyuncheng-vivian
 Mobile(whatsapp): 086-186 8112 3590
 Website: <http://www.hrb-connector.com>



Ordering Information And Dimensions

Part NO.		Dimensions	Part NO.		Dimensions
TYP UL94V-0	Circuits	Dim:A MAX	TYP UL94V-0	Circuits	Dim:A MAX
M25481-2x2	4	7.10	M25481-2x8	16	22.40
M25481-2x3	6	9.70	M25481-2x9	18	24.90
M25481-2x4	8	12.20	M25481-2x10	20	27.40
M25481-2x5	10	14.70	M25481-2x11	22	30.00
M25481-2x6	12	17.30	M25481-2x12	24	32.50
M25481-2x7	14	19.80			

